

Sternberg Lunaria





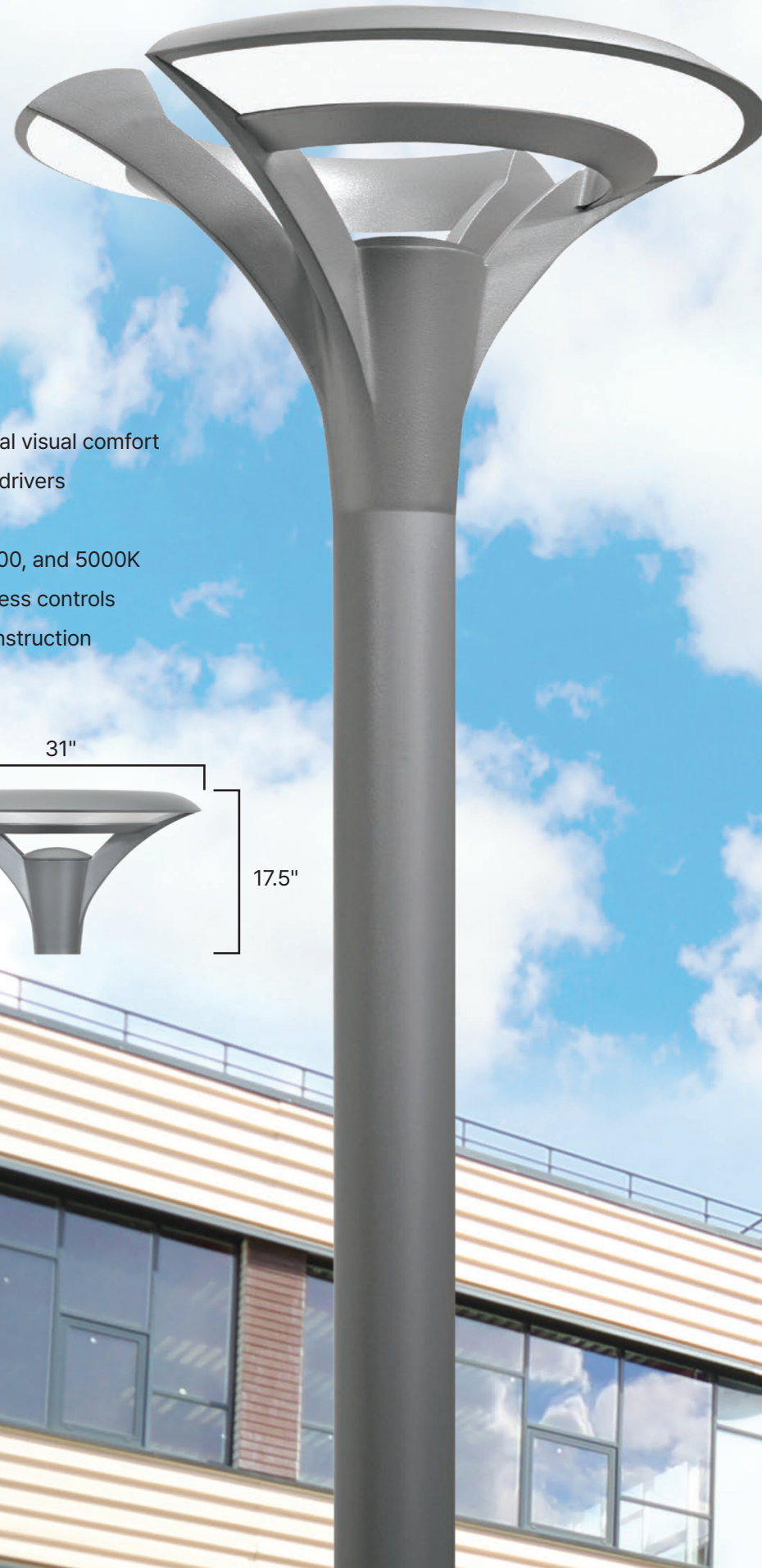
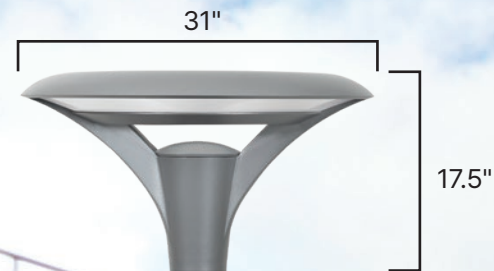
Sternberg is proud to present the Lunaria, with its eye-catching dual crescent design form, and SoftVue™ lenses, the Lunaria is an ideal choice for urban park areas, retail, restaurant areas, and institutional applications.



LU760

Designed to smoothly transition from 5"OD poles, and scaled for pole heights of 14' – 18'. See page 7 for LU900-5 complementary two-piece flared base cover.

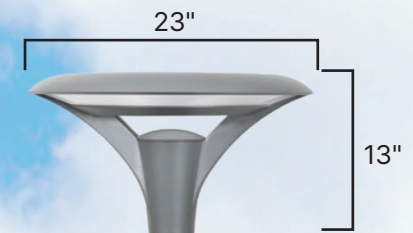
- ▶ Smooth, symmetrical output
- ▶ SoftVue™ SV2 lens provides optimal visual comfort
- ▶ Standard programmable dimming drivers
- ▶ Offered in 3 variable outputs
- ▶ Standard CCTs of 2700, 3000, 4000, and 5000K
- ▶ Optional 7-pin receptacle for wireless controls
- ▶ High quality die cast aluminum construction
- ▶ IP65 rating
- ▶ 7-yr limited warranty



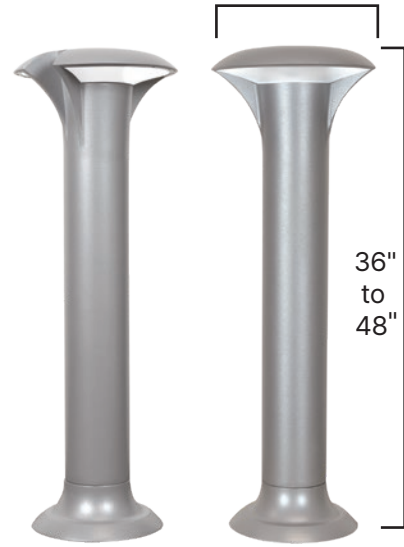
LU660

Designed to smoothly transition from 4"OD poles, and scaled for pole heights of 10' – 14'. See page 7 for LU900-4 complementary two-piece flared base cover.

- ▶ Smooth, symmetrical output
- ▶ SoftVue™ SV2 lens provides optimal visual comfort
- ▶ Standard programmable dimming drivers
- ▶ Offered in 3 variable outputs
- ▶ Standard CCTs of 2700, 3000, 4000, and 5000K
- ▶ Optional 7-pin receptacle for wireless controls
- ▶ High quality die cast aluminum construction
- ▶ IP65 rating
- ▶ 7-yr limited warranty



Bollard, Sconce & Base



LU300

Pathway bollard in standard heights of 36", 42", and 48".

- ▶ Smooth, symmetrical output
- ▶ Heavy wall aluminum construction for highly trafficked urban areas
- ▶ SoftVue™ SV2 lens
- ▶ Standard programmable dimming drivers
- ▶ Offered in 3 variable outputs
- ▶ Standard CCTs of 2700, 3000, 4000, and 5000K
- ▶ IP65 rating
- ▶ 7-yr limited warranty

36"
to
48"



19"

14"



LU630

Elegantly styled wall sconce, also available as a mid-mount option for taller poles.

- ▶ Smooth, asymmetrical output
- ▶ SoftVue™ SV2 lens provides optimal visual comfort
- ▶ Standard programmable dimming drivers
- ▶ Offered in 3 variable outputs
- ▶ Standard CCTs of 2700, 3000, 4000, and 5000K
- ▶ IP65 rating
- ▶ 7-yr limited warranty



LU900

This two piece die cast base cover is constructed of 360 aluminum and is designed to complement the Lunaria product family.

Scale Reference

LU760

Large

- ▶ 18' Pole Height
- ▶ 5" OD Straight Pole

LU660

Medium

- ▶ 12' Pole Height
- ▶ 4" OD Straight Pole



LU630
Wall Mount

LU300
Bollard (36")

LU900-5
Flared Base Cover

LU900-4
Flared Base Cover



Lunaria's sleek lines accentuate contemporary architecture and urban areas. Shown here with complimentary Lunaria bollards and wall sconces.





Lunaria

Located in Roselle, Illinois
Engineered, Tested and Assembled in the USA!

Sternberg has created a legacy of old world craftsmanship that dates back to the company's inception in 1923. The work ethic and product innovations that made the early Sternberg company successful are still being practiced by our employees today. Our dedicated staff, attention to detail, and quality production processes are what make Sternberg a world class company.

Sternberg serves the municipal, landscape, higher education and commercial markets providing efficient and cost effective lighting solutions to the outdoor market.



555 Lawrence Ave., Roselle IL 60172

800-621-3376 | contactus@sternberglighting.com | sternberglighting.com